

# CERTIFICATE OF LOCATION OF GOVERNMENT CORNER

NORTH QUARTER Corner of Section 19, Township 107N, Range 39W

5th Principal Meridian, State of Minnesota, County of MURRAY

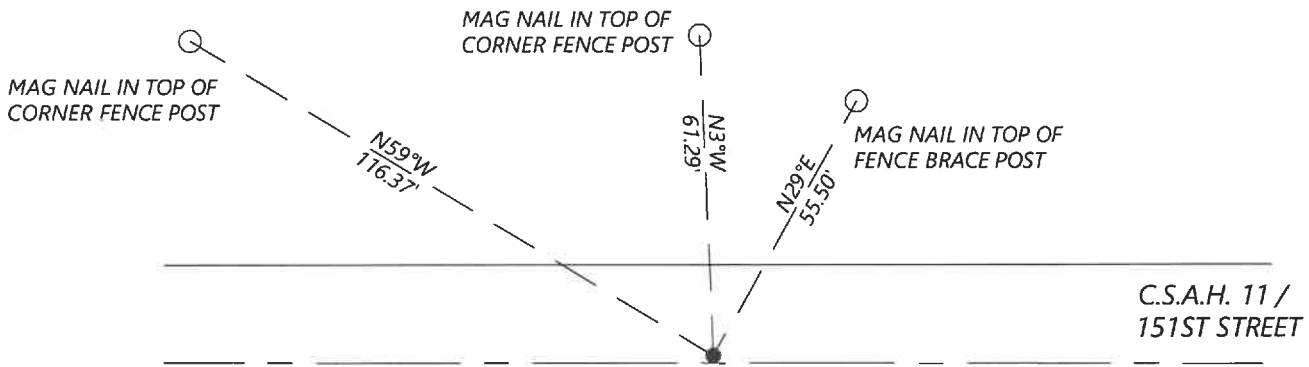
At the corner location shown on the sketch:

On 8/27/2020 found a NO.5 REBAR WITH ALUMINUM DNR CAP WITH CLAY BRICKS SURROUNDING  
DATE

left monument as found       lowered monument       removed monument (explain)

On \_\_\_\_\_ placed a \_\_\_\_\_  
DATE

### SKETCH OF REFERENCE TIES



N.T.S.

Statement of evidence for this corner location is on back of this page.

I hereby certify that this document was researched and prepared by me or under my direct supervision and that I am a licensed Land Surveyor under the laws of the State of Minnesota.

Signature [Handwritten Signature]

Date 6/16/2021 License No. 45874

Title:

- Land Surveyor       Professional Engineer  
 County Surveyor       County Engineer

### OFFICE OF THE COUNTY RECORDER

County of Murray

I hereby certify that this document was filed in the Co.

Recorder's office at \_\_\_\_\_ M. on the \_\_\_\_\_ day of \_\_\_\_\_ A.D. 20

County Recorder Karen Brown

by JUN 22 2021, Deputy

DOCUMENT NO. \_\_\_\_\_

Statement of Evidence:

North Quarter Corner of Section 19, Township 107 North, Range 39 West, 5th Principal Meridian, Murray County, Minnesota.

- July 1861      *GLO notes: Set post in mound*
- 1963            *Highway Department records show an iron pin (assumed) at the corner.*
- Jan. 2001      *Highway Department records show an iron monument was located at the corner (Zieske Land Surveying)*
- June 2009      *A survey in Section 18 and 19 by MN DNR of the Dovray Wildlife Management Area shows a found iron rod at the corner. A distance of 2642.26' is shown to the NE corner of Section 19.*
- June 2012      *Highway Department records show a steel pin with DNR surveyor's cap was found at the corner. Coordinated listed:    N: 179336.29    E: 550908.82*
- Sept. 2020     *Westwood Professional Services searched and found a rebar with DNR cap at the corner. Position fits well with 2009 DNR survey and also fits well with 2012 Highway Department coordinates.*

Analysis of the recovered data, field evidence and survey measurements, indicates that the monument found is the correct perpetuation of this corner. For additional information concerning this corner please contact Westwood Professional Services.